

**FOSS**



**Fresh Cheese Process Analysis**  
Get more out of your production with  
High Resolution in-line analysis

**ProFoss™**

Dedicated Analytical Solutions



*Get a clearer picture of your fresh cheese production with High Resolution process analysis.*

## Let your production staff improve your business

Profit opportunities are waiting to be found in your fresh cheese process.

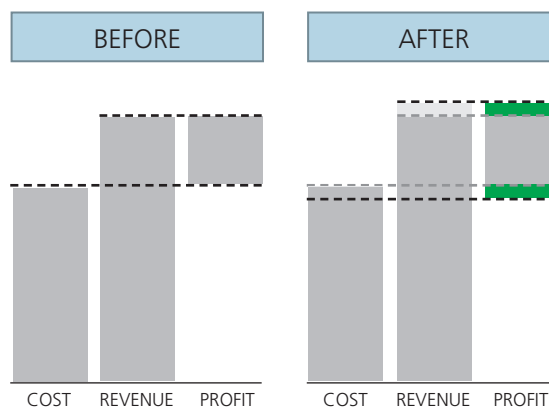
For instance, more accurate control of the total solids content can increase earnings significantly. At the same time, improved product consistency can provide new pricing options.

Give your production staff the right tool in the form of a ProFoss™ integrated High Resolution process analysis solution from FOSS, and they can achieve increased yield and improved consistency.

Users of such solutions report a rapid return on investment with a typical payback time of less than twelve months.

Advantages of fresh cheese process control include improved yield and profit based on:

- Optimised total solids content
- Consistent product quality
- Higher value products for your customers
- Reduced rework



*Stretch your profit zone: Production costs can be decreased and the higher product consistency will increase your competitiveness.*

*"FOSS is committed to process analysis because, quite simply, it is the future of food production. Tighter control of production is a sure way for you to improve both profit and customer satisfaction while minimising energy usage."*

*Peter Foss, President*

## The FOSS difference – dairy industry knowledge and experience

At the heart of any FOSS analytical solution is a simple and enduring concept: To give you just what you need to obtain accurate, timely information according to the demands of your production environment.

This is a principle that FOSS has followed for over 50 years. And that's why today, FOSS is unique in offering dedicated solutions for dairy process analysis and control. Our knowledge and experience ensures that your process analysis solution is right for your demands and can be applied quickly and easily to your production.

### Investing in a process analysis solution

With any process analysis solution you are effectively putting your production in the hands of technology. FOSS is the right partner to provide a reliable solution that will run day in, day out and year after year.

FOSS dairy solutions offer:

- ☑ Proven technology for accuracy and trouble-free operations
- ☑ User-friendly interfaces allowing anyone in the plant to contribute to process control
- ☑ Service programs offering a range of options to suit your business. Get your service in a timely manner by fully trained local staff onsite and/or remotely through internet

### FOSS Total Service Solutions

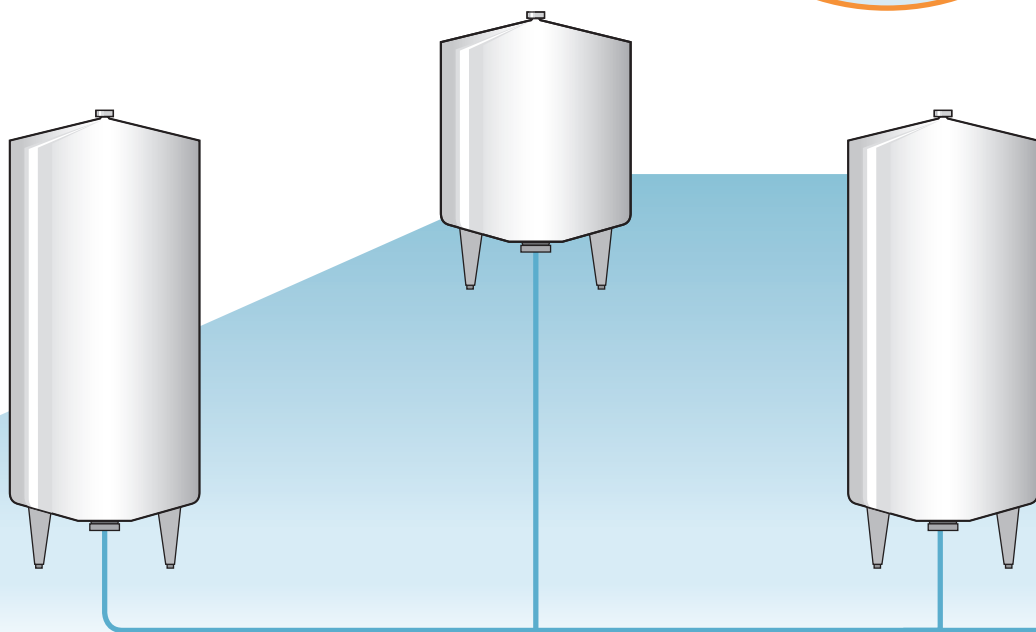
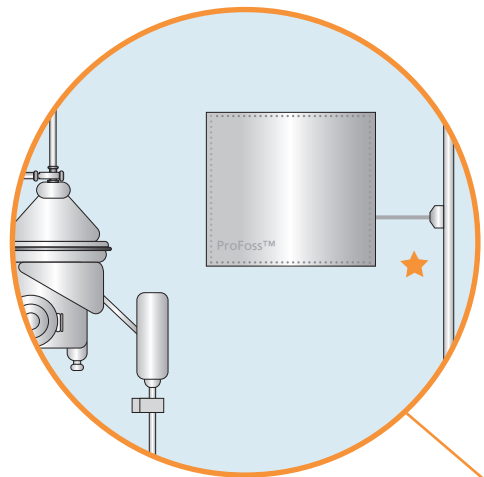
- FOSS is committed to providing complete and fully integrated solutions to customers
- Our relationship with you is a continuous partnership, not a time-limited occurrence
- FossCare™ Total Service Solutions are available at multiple levels according to your needs

### FOSS

- World's leading provider of analytical solutions for the food, agricultural, chemical and pharmaceutical industries
- Helps customers to improve profit, product quality and food safety
- FOSS solutions are used for routine laboratory analysis as well as at-line and in-line process control
- Over 90 of the world's top 100 food and agricultural companies use FOSS solutions
- FOSS analysers are analytical solutions dedicated to specific process needs
- Strong global organisation with focus on growth
- Privately owned and financially stable

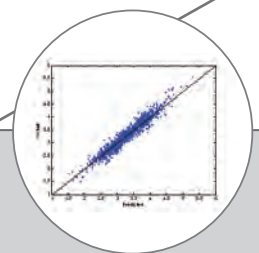
# How to improve your fresh cheese production

In process control, seemingly minor adjustments can lead to significantly increased yield and revenue. A FOSS in-line process analysis solution employing High Resolution technology gives you the accuracy you need to monitor and control your process accordingly.



## ProFoss™ – the optimal solution for fresh cheese process analysis

- Robust, process solution withstands water and vibration and complies with hygiene regulations
- Reliable and low maintenance – keeps on running for maximum uptime
- Results can be fed into your production/SCADA system and/or be presented on a screen in the production area for rapid adjustments of your process
- Full technical support and preventative maintenance options



### Parameters

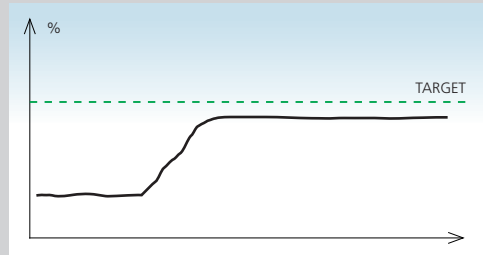
- **Total solids**

In fresh cheese production the primary profit driver is to optimise the total solids level to increase yield and thereby revenue.

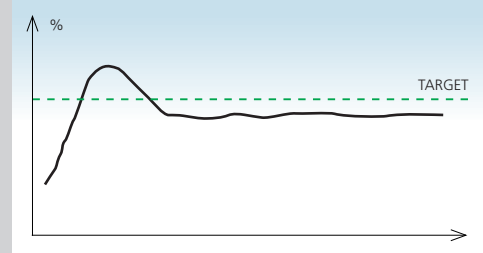
### Process analysis advantages

- Production close to target specifications
- Increased yield
- Less rework and start up variation
- Optimised mass-balance

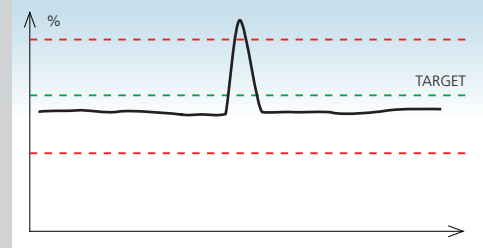
### Production closer to target



### Reduce start up variation



### Alarms when out of spec production



### Typical analyser Installation point

- Installation after the separator in order to validate and adjust final total solids content
- Hygiene certified according to USDA



### Dedicated sample interface

- Lateral transmittance interface connected directly to the pipe
- True in-line – no bypass – no waste
- No moving parts
- No hygiene compromises





## ProFoss™ – High Resolution NIR technology

ProFoss™ is unique in employing a near infrared-based analysis technology known as High Resolution diode array analysis. The High Resolution technology ensures accuracy and reliability with measurements based on a high density of data points.

### Accurate and continuous results

Measurement accuracy is in line with traditional laboratory analysis. However, results are presented continuously rather than a few times per day giving the opportunity for immediate adjustments to production.

This together with the dedicated fresh cheese sample interface ensures you a total solution optimal for your process.

### Quick and simple to implement

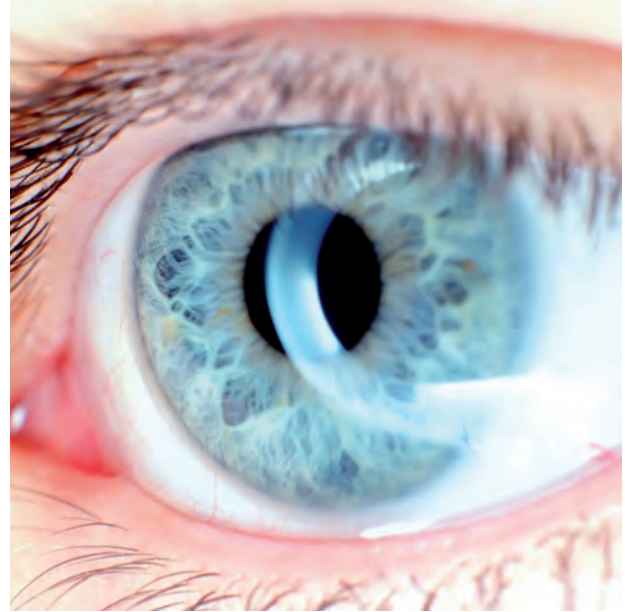
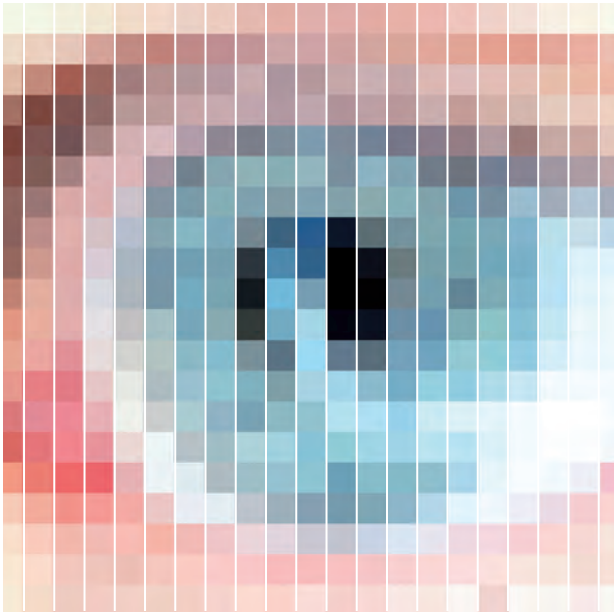
The High Resolution technology behind the accuracy of the ProFoss system also has benefits when implementing the system. Because measurements can be relied on to be the same across individual instruments and are highly stable over time, you can reduce the time and money spend on installation of individual analysers. The standardisation and stability of the solution, as well as the intelligent FOSS calibration tool ISical™, makes it fast and easy for non-experts to develop or expand calibrations and transfer them across units.

### Robust and low maintenance operation

The ProFoss system keeps on running to ensure high uptime and minimal impact on daily production. Once calibrated, there is no need for constant adjustments caused by drift or other weaknesses. The high stability of the High Resolution technology ensures the same accuracy day in and day out without hidden operational costs.

### Intelligent calibration tool - ISical™

Calibration is done either through WinISI™ or by using the new intelligent calibration tool, ISical™. ISical requires a minimum of user experience. Each time a reference sample is collected from the process, a button is pressed on the analyser to synchronise the scan with the collected sample. Reference data is added and a calibration is automatically developed (or an existing calibration expanded with the new data). The new ISical tool automatically optimises the calibration algorithms by selecting the most reliable model for future use.



*High Resolution near infrared technology gives you a clearer picture of your process. A high number of pixels (diode sensors) in the spectrum secures a more detailed (accurate) and uniform (repeatable) analysis result. High Resolution also enables manufacturing of "identical" (standardised) analysers which stay the same over time (no drift).*

## The value of a standardised High Resolution analyser

A standardised analyser with transferable calibrations significantly reduces the implementation and maintenance costs.

Transferability is the solid foundation required for rapid implementation of an analyser into a complex process environment. Furthermore, once a calibration has been developed, it can be reused on other analysers.

The key to achieving this is the resolution of the analysers wavelength scale. The FOSS High Resolution technology has one sensor for each nm measured, securing 100% stability of the wavelength scale. In contrast, with lower wavelength resolution, shifts of up to 7 – 8 nm in the wavelength scale can occur, which will require major updates of existing calibrations for each new analyser installed.

### FOSS support plans

FossCare™ is a partnership, where FOSS helps customers with preventative maintenance, remote instrument monitoring, consultancy, training programs and breakdown support. FOSS technicians work directly with the customer to solve any problem that they encounter, leading to maximum uptime and increased yield.

By participating in a Preventative Maintenance program, focus is moved from "fix it when it breaks" to a predictable and proactive approach, reducing the cost of unplanned downtime and emergency repairs and increasing the equipment reliability and availability.

### Remote Monitoring and diagnostics

RINA is a remote instrument monitoring and diagnostics software that makes it easy for an internal or external expert to precisely configure, monitor and diagnose FOSS instruments from a remote location. Calibration updates and bias corrections are easily handled through the network and the system can be monitored on a daily basis, allowing you to focus on optimising your production.

# Fresh cheese solutions from FOSS



## MilkoScan™ FT2

The MilkoScan™ FT2 makes the essential job of dairy product standardisation easier and more economic. With the latest in accurate routine testing you can standardise products closer to your set targets for improved profit. Cost effective technology reduces the cost of testing while improving product consistency.

You can also screen for abnormalities with the MilkoScan's unique built-in spectrum screening system at the same time as you carry out normal routine testing.



## FoodScan™

FoodScan™ is placed at-line or in your laboratory.

With FoodScan you can analyse in-process products or make final product control on a regular basis or when needed.

Based on these results, you can monitor your process at any time and make process adjustments if needed, producing closer to target.



## ProFoss™

Installed in-line, the ProFoss™ gives a continuous flow of "real time" results of the fresh cheese quality out of the cheese separator. Based on the results the operator or the automatic process regulation system can immediately react to changes in the process. The ProFoss helps you to reduce production variation, produce closer to specifications and streamline your manufacturing process.

# FOSS

FOSS  
Slangerupgade 69  
DK-3400 Hilleroed  
Denmark

Tel.: +45 7010 3370  
Fax: +45 7010 3371

info@foss.dk  
www.foss.dk

